



## APPLICATIONS

Fashion store, chain store, shopping mall;  
Showrooms, art galleries.

LED Linear downlight with finland  
Ledil top quality, High thermal conductive  
aluminum body metal black surface coating.

## SPECIFICATIONS

NO OF HEAD	:	1
MOUNTING	:	Ceiling recessed
LAMP DESCRIPTION	:	2 x 2.1W COB chip
COLOR TEMPERATURE	:	2700K
OPERATING VOLTAGE	:	100-240V 50/60Hz
OPERATING TEMP.	:	-30°C + 40°C
ENVIRONMENTAL RATINGS	:	IP40

## OPTICAL

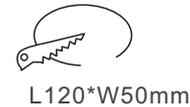
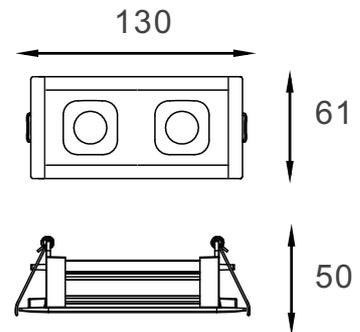
OPTICS	:	Lens
AIMING	:	Fixed
LIGHT DISTRIBUTION	:	Symmetric
BEAM ANGLE	:	7°/14°/25°/46°/9+41°

## ELECTRICAL

TRANSFORMER	:	To be ordered seperately
TRANSFORMER MOUNTING	:	Remote
TRANSFORMER TYPE	:	Electronic AC100-240V 50/60Hz - DC700mA
EMERGENCY	:	NA
DIMMING	:	Non Dimmable, Dali, 1-10v, Triac

## PHYSICAL

DIMENSION	:	130 mm x 61 mm x 50 mm
BODY MATERIAL	:	Aluminum body
BODY COLOR	:	Black, Silver, White



## PRODUCT SELECTION GUIDE

PRODUCT	COLOR TEMP	POWER	OPTICS	DRIVER	BODY COLOR	REFLECTOR	ACCESSORIES
HL 8013 05	2700 K	5W	7- 7°	ND - Non-Dimmable	BL - Black	BL - Black	XXX
			14- 14°	DA - Dali	SL - Silver	WH - White	
			25- 25°	AN - Analogue (0-10v)	WH - White	XX - Custom	
			46- 46°	TR - Triac	XX - Custom		
			9+41°				

Ordering Code

**HL 8013 05 - 2700 K - 5W - 7 - ND - BL - BL - XX**

Consult factory / Representative for Custom Details

## LUMINAIRE LUMEN

■ 2700 K /414lm Rα90

**RoHS**

CE

IP40