



APPLICATIONS

Fashion store, chain store, shopping mall;
Showrooms, art galleries.

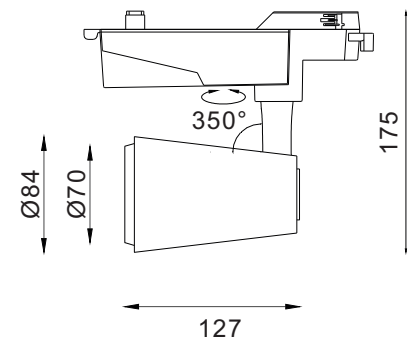
LED Track light luminaire with die-cast
Aluminum alloy in white powder coating finish.

SPECIFICATIONS

| | | |
|-----------------------|---|----------------------|
| NO OF HEAD | : | 1 |
| MOUNTING | : | 3 Phase Track |
| LAMP DESCRIPTION | : | 25W COB chip |
| COLOR TEMPERATURE | : | 2700/3000/4000/5000K |
| OPERATING VOLTAGE | : | 100-240V 50/60Hz |
| OPERATING TEMP. | : | -30°C + 40°C |
| ENVIRONMENTAL RATINGS | : | IP40 |

OPTICAL

| | | |
|--------------------|---|-------------|
| OPTICS | : | Lens |
| AIMING | : | Adjustable |
| LIGHT DISTRIBUTION | : | Symmetric |
| BEAM ANGLE | : | 15°/24°/38° |



ELECTRICAL

| | | |
|----------------------|---|---|
| TRANSFORMER | : | To be ordered separately |
| TRANSFORMER MOUNTING | : | Integral |
| TRANSFORMER TYPE | : | Electronic AC100-240V 50/60Hz - DC600mA |
| EMERGENCY | : | NA |
| DIMMING | : | Non Dimmable, Dali, 1-10v, Triac |

PHYSICAL

| | | |
|---------------|---|-------------------------|
| DIMENSION | : | 175 mm x 127 mm(Ø84 mm) |
| BODY MATERIAL | : | Aluminum Alloy |
| BODY COLOR | : | Black, Silver, White |

LUMINAIRE LUMEN

| | |
|------------------|------|
| ■ 2700 K /1750lm | Ra90 |
| ■ 3000 K /2000lm | Ra90 |
| ■ 4000 K /2300lm | Ra80 |
| ■ 5000 K /2600lm | Ra70 |

PRODUCT SELECTION GUIDE

| PRODUCT | COLOR TEMP | POWER | OPTICS | DRIVER | BODY COLOR | REFLECTOR | ACCESSORIES |
|------------|------------|-------|----------|-----------------------|-------------|-------------|-------------|
| HL 4025 25 | 2700 K | 25W | 15- 15° | ND - Non-Dimmable | BL - Black | BL - Black | XXX |
| | 3000 K | | 24 - 24° | DA - DALI | SL - Silver | WH - White | |
| | 4000 K | | 38 - 38° | AN - Analogue (0-10v) | WH - White | XX - Custom | |
| | 5000 K | | | TR - Triac | XX - Custom | | |

Ordering Code

HL 4025 25 - 2700 K - 25W - 15 - ND - BL - BL - XX

Consult factory / Representative for Custom Details

RoHS

CE

IP40