



## APPLICATIONS

Fashion store, chain store, shopping mall;  
Showrooms, art galleries.

LED Track light luminaire with die-cast  
Aluminum alloy in white powder coating finish.

## SPECIFICATIONS

NO OF HEAD	:	1
MOUNTING	:	3 Phase Track
LAMP DESCRIPTION	:	20W COB chip
COLOR TEMPERATURE	:	2700/3000/4000/5000K
OPERATING VOLTAGE	:	100-240V 50/60Hz
OPERATING TEMP.	:	-30°C + 40°C
ENVIRONMENTAL RATINGS	:	IP40

## OPTICAL

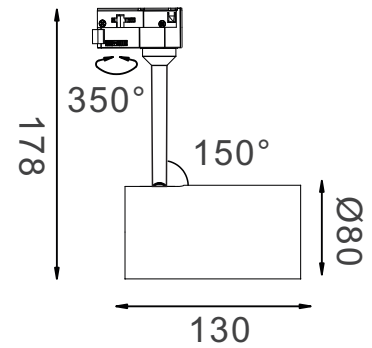
OPTICS	:	Lens
AIMING	:	Adjustable
LIGHT DISTRIBUTION	:	Symmetric
BEAM ANGLE	:	18°/28°/42°

## ELECTRICAL

TRANSFORMER	:	To be ordered seperately
TRANSFORMER MOUNTING	:	Integral
TRANSFORMER TYPE	:	Electronic AC100-240V 50/60Hz-
EMERGENCY	:	NA
DIMMING	:	Non Dimmable, Dali, 1-10v, Triac

## PHYSICAL

DIMENSION	:	130mm x 178 mm(Ø80 mm)
BODY MATERIAL	:	Aluminum Alloy
BODY COLOR	:	Black, Silver, White



## PRODUCT SELECTION GUIDE

PRODUCT	COLOR TEMP	POWER	OPTICS	DRIVER	BODY COLOR	REFLECTOR	ACCESSORIES
HL 4016 20	2700 K	20W	18- 18°	ND - Non-Dimmable	BL - Black	BL - Black	XXX
	3000 K		28- 28°	DA - DALI	SL - Silver	WH - White	
	4000 K		42- 42°	AN - Analogue (0-10v)	WH - White	XX - Custom	
	5000 K			TR - Triac	XX - Custom		

Ordering Code

**HL 4016 20 - 2700 K - 20W - 18 - ND - BL - BL - XX**

Consult factory / Representative for Custom Details

## LUMINAIRE LUMEN

■ 2700 K /1500lm	Ra90
■ 3000 K /1600lm	Ra90
■ 4000 K /1700lm	Ra80
■ 5000 K /1800lm	Ra70

**RoHS**

**CE**

IP40