



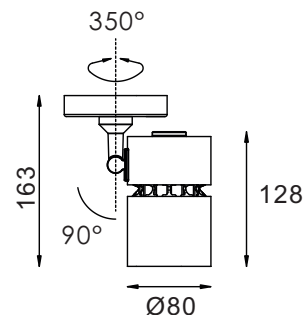
## APPLICATIONS

Fashion store, chain store, shopping mall;  
Showrooms, art galleries, villas.

LED Surface mounded Down light luminaire with die-cast Aluminum alloy in white powder coating finish.

## SPECIFICATIONS

NO OF HEAD	:	1
MOUNTING	:	Srfacemounted
LAMP DESCRIPTION	:	18 COB chip
COLOR TEMPERATURE	:	2700/3000/4000/5000K
OPERATING VOLTAGE	:	100-240V 50/60Hz
OPERATING TEMP.	:	-30°C + 40°C
ENVIRONMENTAL RATINGS	:	IP40



## OPTICAL

OPTICS	:	Lens
AIMING	:	Adjustable
LIGHT DISTRIBUTION	:	Symmetric
BEAM ANGLE	:	15°/24°/38°/60°

## ELECTRICAL

TRANSFORMER	:	To be ordered seperately
TRANSFORMER MOUNTING	:	Remote
TRANSFORMER TYPE	:	Electronic AC100-240V 50/60Hz-DC450mA
EMERGENCY	:	NA
DIMMING	:	Non Dimmable, Dali, 1-10v, Triac

## PHYSICAL

DIMENSION	:	80 mm x 163 mm (Ø80 mm )
BODY MATERIAL	:	Aluminum Alloy
BODY COLOR	:	Black, Silver, White

## LUMINAIRE LUMEN

■ 2700 K /1260lm	Ra90
■ 3000 K /1405lm	Ra90
■ 4000 K /1584lm	Ra80
■ 5000 K /1766lm	Ra70

## PRODUCT SELECTION GUIDE

PRODUCT	COLOR TEMP	POWER	OPTICS	DRIVER	BODY COLOR	REFLECTOR	ACCESSORIES
HL 4010D 18	2700 K	18 W	15 - 15°	ND - Non-Dimmable	BL - Black	BL - Black	XXX
	3000 K		24 - 24°	DA - DALI	SL - Silver	WH - White	
	4000 K		38 - 38°	AN - Analogue (0-10v)	WH - White	XX - Custom	
	5000 K		60 - 60°	TR - Triac	XX - Custom		

Ordering Code

**HL 4010D 18 - 2700 K - 18W - 15 - ND - BL - BL - XX**

Consult factory / Representative for Custom Details

**RoHS**



IP40