



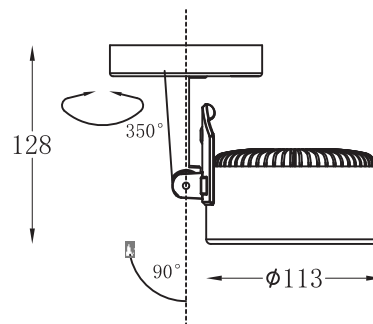
APPLICATIONS

Fashion store, chain store, shopping mall;
Showrooms, art galleries, villas.

LED Spot light luminaire with die-cast
Aluminum alloy in white powder coating finish.

SPECIFICATIONS

NO OF HEAD	:	1
MOUNTING	:	Surfacemounted
LAMP DESCRIPTION	:	26W COB chip
COLOR TEMPERATURE	:	2700/3000/4000/5000K
OPERATING VOLTAGE	:	100-240V 50/60Hz
OPERATING TEMP.	:	-30°C + 40°C
ENVIRONMENTAL RATINGS	:	IP40



OPTICAL

OPTICS	:	Lens with glass
AIMING	:	Adjustable
LIGHT DISTRIBUTION	:	Symmetric
BEAM ANGLE	:	15°/25°

ELECTRICAL

TRANSFORMER	:	To be ordered seperately
TRANSFORMER MOUNTING	:	Remote
TRANSFORMER TYPE	:	Electronic AC100-240V 50/60Hz-DC600mA
EMERGENCY	:	NA
DIMMING	:	Non Dimmable, Dali, 1-10v, Triac

PHYSICAL

DIMENSION	:	113 mm x 128 mm
BODY MATERIAL	:	Aluminum Alloy
BODY COLOR	:	Black, Silver, White

LUMINAIRE LUMEN

■ 2700 K /1820lm	Ra90
■ 3000 K /2028lm	Ra90
■ 4000 K /2288lm	Ra80
■ 5000 K /2550lm	Ra70

PRODUCT SELECTION GUIDE

PRODUCT	COLOR TEMP	POWER	OPTICS	DRIVER	BODY COLOR	REFLECTOR	ACCESSORIES
HL 4001B 26	2700 K	26 W	15- 15°	ND - Non-Dimmable	BL - Black	BL - Black	HCL - Honey Comb Louver
	3000 K		25 - 25°	DA - DALI	SL - Silver	WH - White	WR - White Ring
	4000 K		AN - Analogue (0-10v)	WH - White	XX - Custom	BR - Black Ring	
	5000 K		TR - Triac	XX - Custom			

Ordering Code

HL 4001B 26 - 2700 K - 26W - 15 - ND - BL - BL - HCL

Consult factory / Representative for Custom Details

RoHS

CE

IP40