



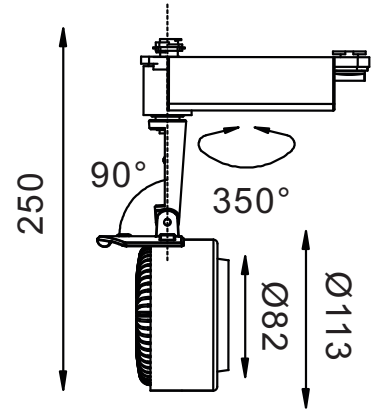
## APPLICATIONS

Fashion store, chain store, shopping mall;  
Showrooms, art galleries.

LED Track light luminaire with die-cast  
Aluminum alloy in white powder coating finish.

## SPECIFICATIONS

NO OF HEAD	:	1
MOUNTING	:	3 Phase Track
LAMP DESCRIPTION	:	26W COB chip
COLOR TEMPERATURE	:	2700/3000/4000/5000K
OPERATING VOLTAGE	:	100-240V 50/60Hz
OPERATING TEMP.	:	-30°C + 40°C
ENVIRONMENTAL RATINGS	:	IP40



## OPTICAL

OPTICS	:	Lens
AIMING	:	Adjustable
LIGHT DISTRIBUTION	:	Symmetric
BEAM ANGLE	:	13°/23°/38°

## ELECTRICAL

TRANSFORMER	:	To be ordered seperately
TRANSFORMER MOUNTING	:	Remote
TRANSFORMER TYPE	:	Electronic AC100-240V 50/60Hz-DC600mA
EMERGENCY	:	NA
DIMMING	:	Non Dimmable, Dali, 1-10v, Triac

## PHYSICAL

DIMENSION	:	250 mm (Ø113 mm)
BODY MATERIAL	:	Aluminum Alloy
BODY COLOR	:	Black, Silver, White

## LUMINAIRE LUMEN

■ 2700 K /1820lm	Ra90
■ 3000 K /2028lm	Ra90
■ 4000 K /2288lm	Ra80
■ 5000 K /2550lm	Ra70

## PRODUCT SELECTION GUIDE

PRODUCT	COLOR TEMP	POWER	OPTICS	DRIVER	BODY COLOR	REFLECTOR	ACCESSORIES
HL 4001 26	2700 K	26 W	13- 13°	ND - Non-Dimmable	BL - Black	BL - Black	HCL - Honey Comb Louver
	3000 K		23 - 23°	DA - DALI	SL - Silver	WH - White	WR - White Ring
	4000 K		38 - 38°	AN - Analogue (0-10v)	WH - White	XX - Custom	BR - Black Ring
	5000 K			TR - Triac	XX - Custom		

Ordering Code

**HL 4001 26 - 2700 K - 26W - 13 - ND - BL - BL - HCL**

Consult factory / Representative for Custom Details

**RoHS**



IP40