



APPLICATIONS

Fashion store, chain store, shopping mall;
Showrooms, art galleries, villas.

LED Down light luminaire with die-cast
Aluminum alloy in white powder coating finish.

SPECIFICATIONS

NO OF HEAD	:	1
MOUNTING	:	Ceiling recessed
LAMP DESCRIPTION	:	16W CREE XPE2
COLOR TEMPERATURE	:	2700/3000/4000/5000K
OPERATING VOLTAGE	:	100-240V 50/60Hz
OPERATING TEMP.	:	-30°C + 40°C
ENVIRONMENTAL RATINGS	:	IP40

OPTICAL

OPTICS	:	Lens with glass
AIMING	:	Adjustable
LIGHT DISTRIBUTION	:	Symmetric
BEAM ANGLE	:	7°/14°/25°/46°/9+41°

ELECTRICAL

TRANSFORMER	:	To be ordered seperately
TRANSFORMER MOUNTING	:	Remote
TRANSFORMER TYPE	:	Electronic AC100-240V 50/60Hz-DC700mA
EMERGENCY	:	NA
DIMMING	:	Non Dimmable, Dali, 1-10v, Triac

PHYSICAL

DIMENSION	:	363mm x 77 mm X 64 mm
BODY MATERIAL	:	Aluminum Alloy
BODY COLOR	:	Black, Silver, White

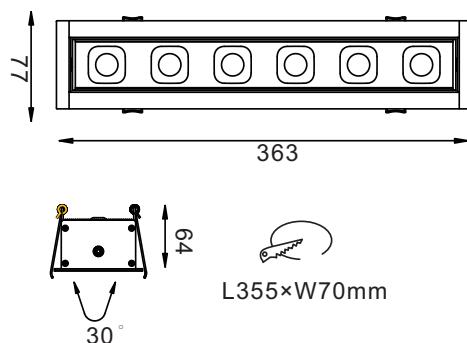
PRODUCT SELECTION GUIDE

PRODUCT	COLOR TEMP	POWER	OPTICS	DRIVER	BODY COLOR	REFLECTOR	ACCESSORIES
HL 2029 16	2700 K	16W	7- 7°	ND - Non-Dimmable	BL - Black	BL - Black	XXX
	3000 K		14 - 14°	DA - DALI	SL - Silver	WH - White	
	4000 K		25 - 25°	AN - Analogue (0-10v)	WH - White	XX - Custom	
	5000 K		46- 46° 9+41°	TR - Triac	XX - Custom		

Ordering Code

HL 2029 16 - 2700 K - 16W - 7 - ND - BL - BL - XX

Consult factory / Representative for Custom Details



LUMINAIRE LUMEN

■ 2700 K /1104lm	Ra80
■ 3000 K /1168lm	Ra80
■ 4000 K /1248lm	Ra80
■ 5000 K /1280lm	Ra70

RoHS



IP40